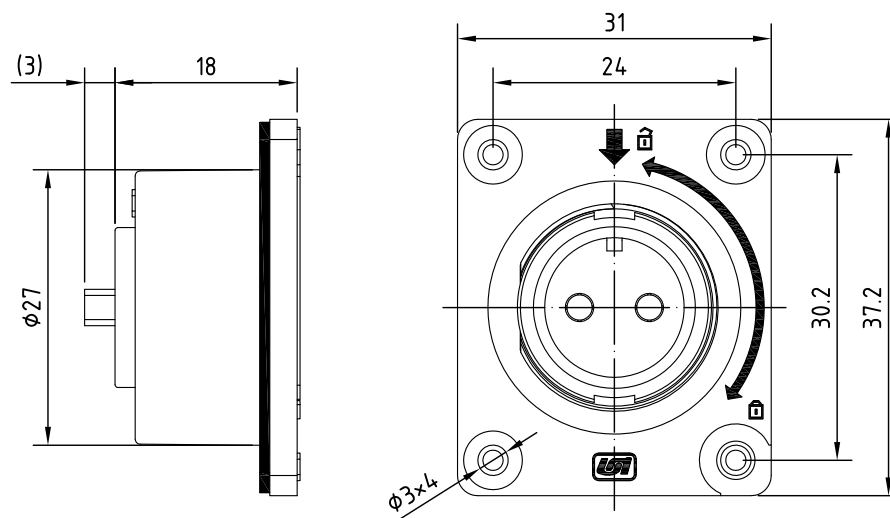


REV.	Description	Date
1	upgrade drawing	2014/3/26
2	add 19P arrangement	2016/3/17
3	rated current revise	2018/10/5
4	was $\phi 3 \times 2$ is $\phi 3 \times 4$	2020/5/19



Specification of connector

Locking system : Twist Lock
 Termination : solder
 Shell protection : IP68
 Contact resistance : $\leq 5\text{m}\Omega$
 Insulation resistance : $\geq 10\text{M}\Omega$

RoHS
TOLERANCE $X \pm 0.5$. $X \pm 0.3$

CONTACT ARRANGEMENT FRONT VIEW (FEMALE)	2P	3P	4P	5P	6P	7P	8P	2+8P	3+6P	19P
Rated voltage	360V		250V		125V		125V		60V	
Rated current	25A		15A		10A		25A/5A		5A	

4	Pad	Rubber
3	Pin	Brass/Gold plated
2	Body	PA
1	Cover	PA
Item	Description	Material&Plating



Unicable Co., Ltd. 國陽電業有限公司

5F., No. 111-33, Sec. 4, San Ho Road., San Chung Dist., New Taipei City, Taiwan
<http://www.unicable.com.tw> Tel:+886-2-2286-2122 Fax:+886-2-2286-1010

DATE	2020/5/19	PART NO.	UT-SD264M3S-XP
DWN	GINA	REV.	4
CHK			
ITEM	Sensor Connector M20.5	UNIT	MM